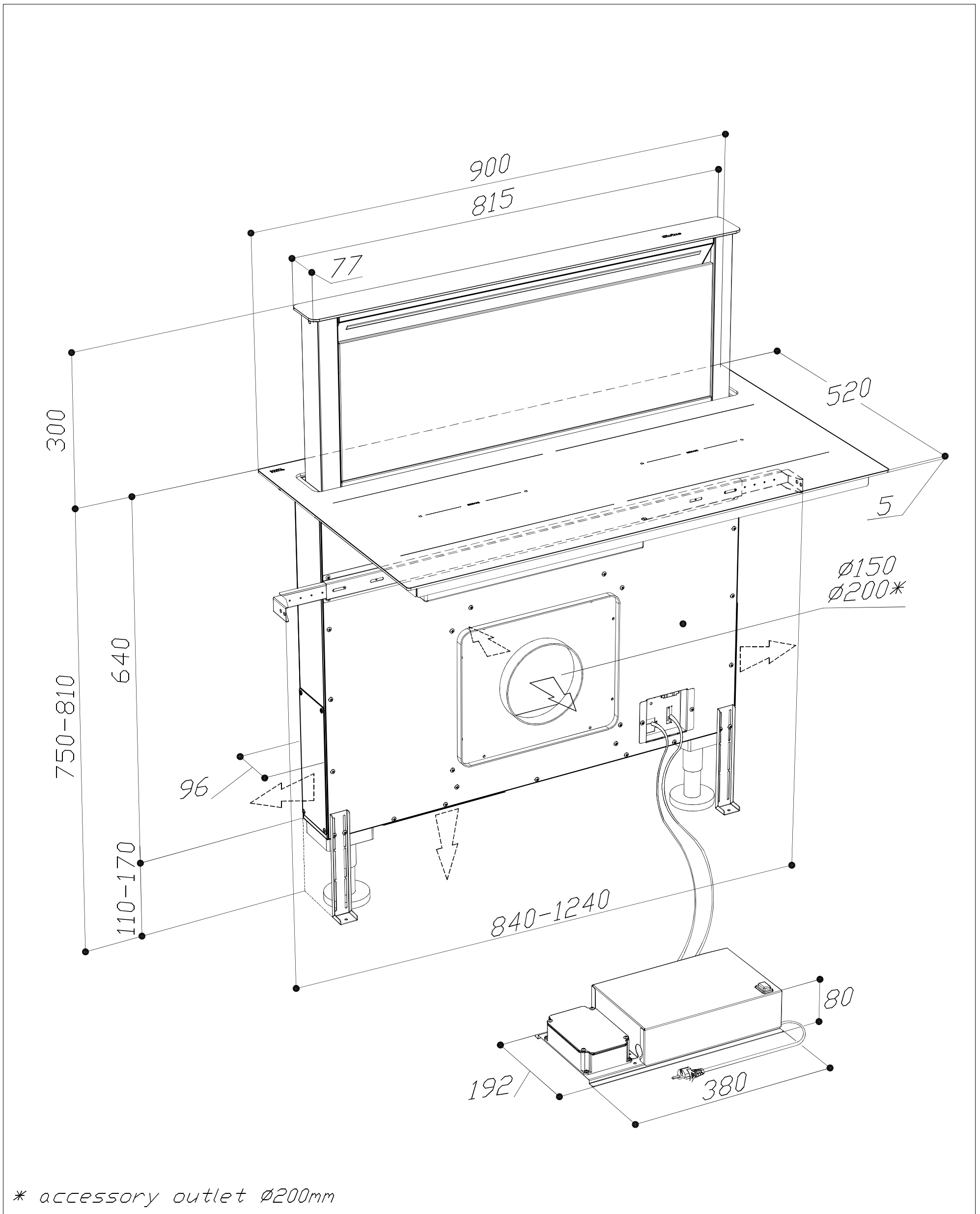


S-DDH1

External motor



Apertura Top: 860x490 (mm)
Rectangular opening: 860x490 (mm)

06/2026